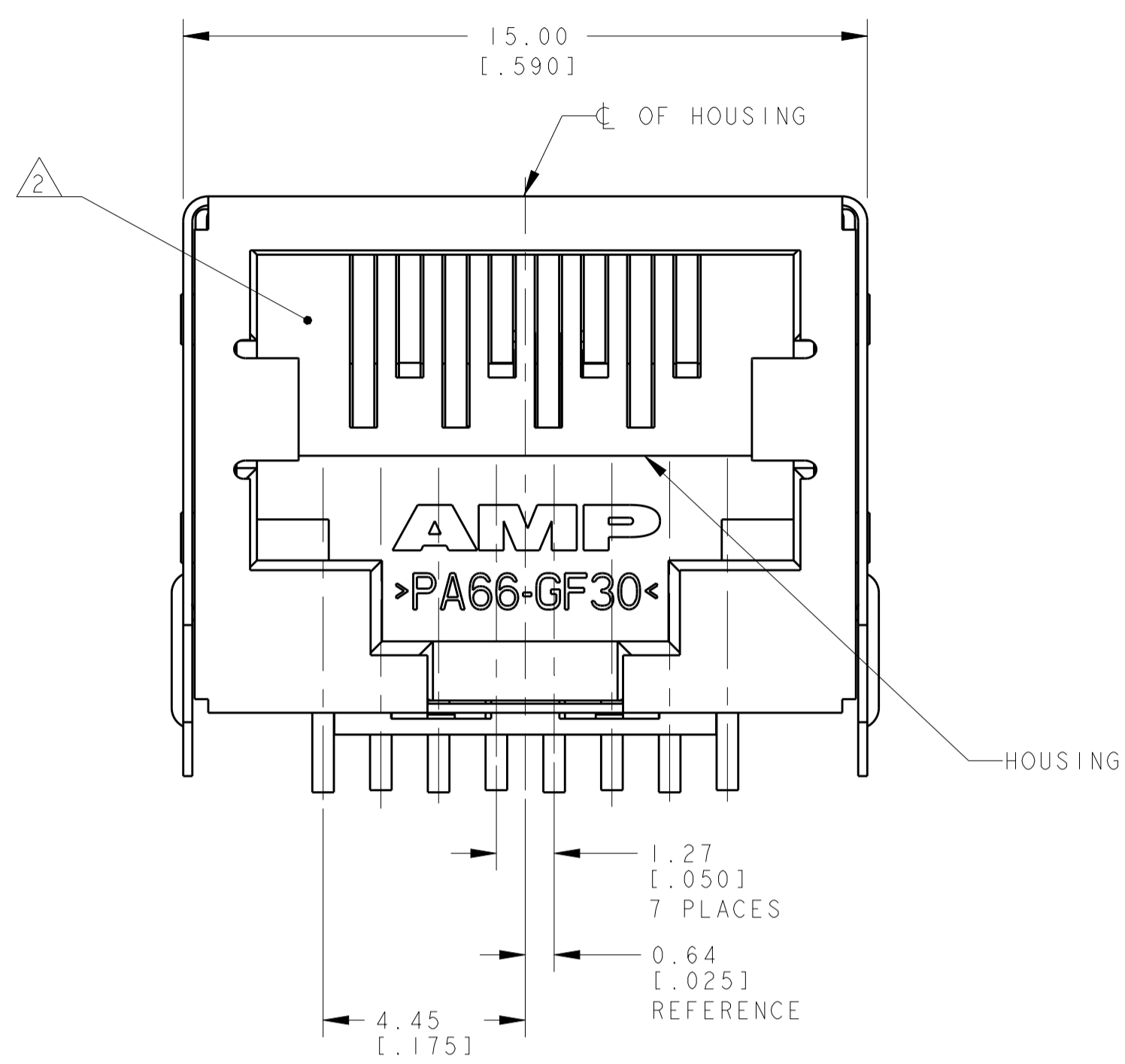
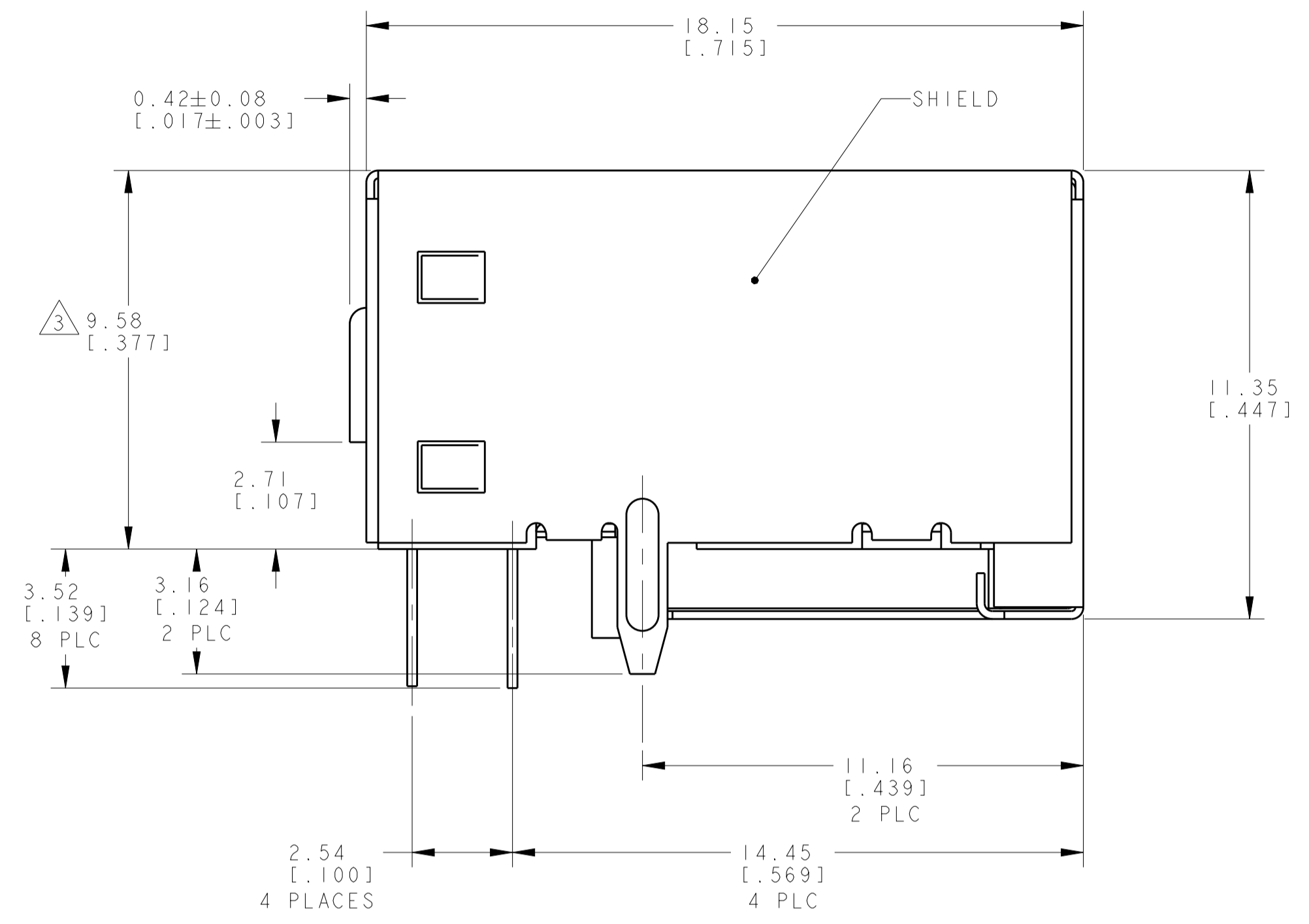
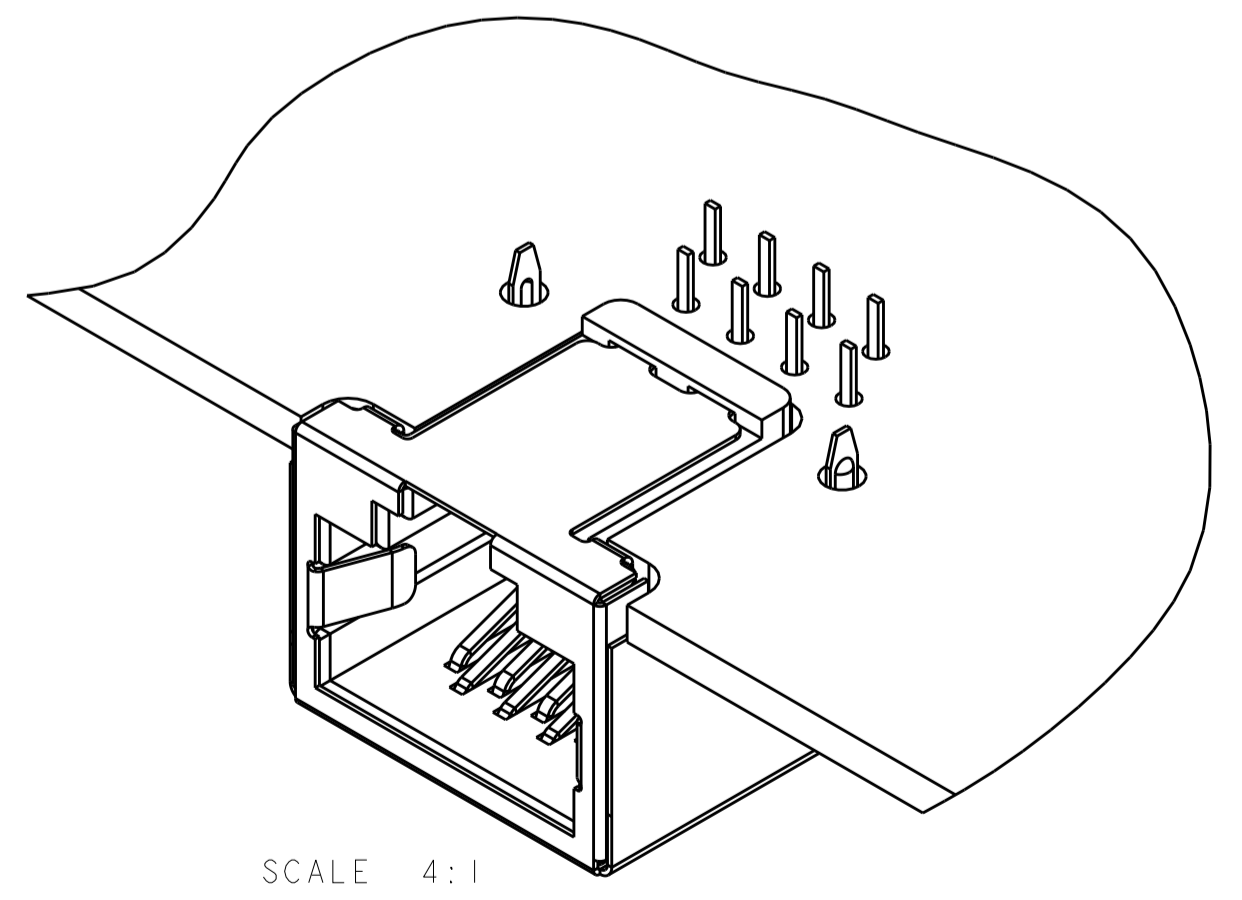
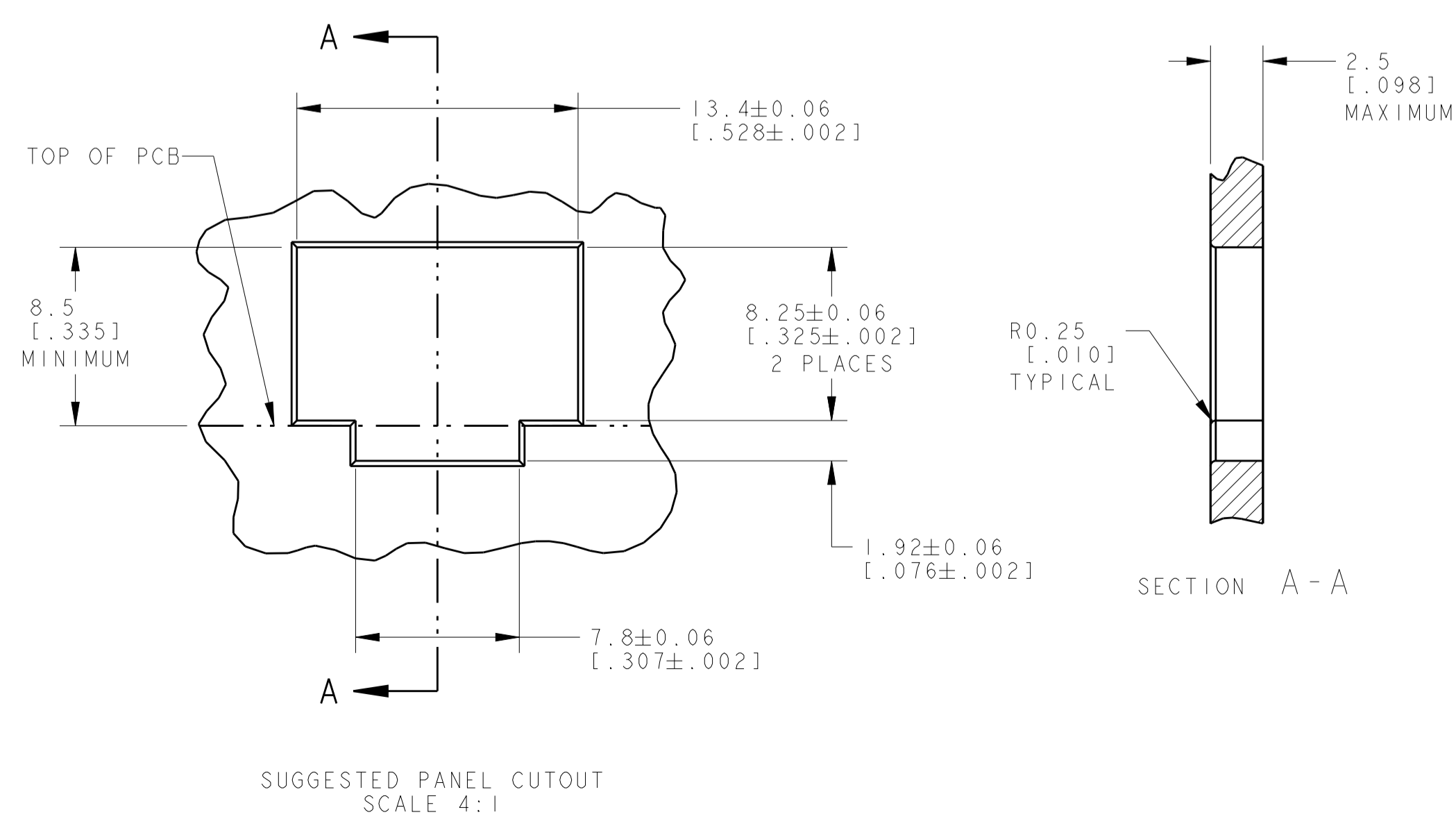
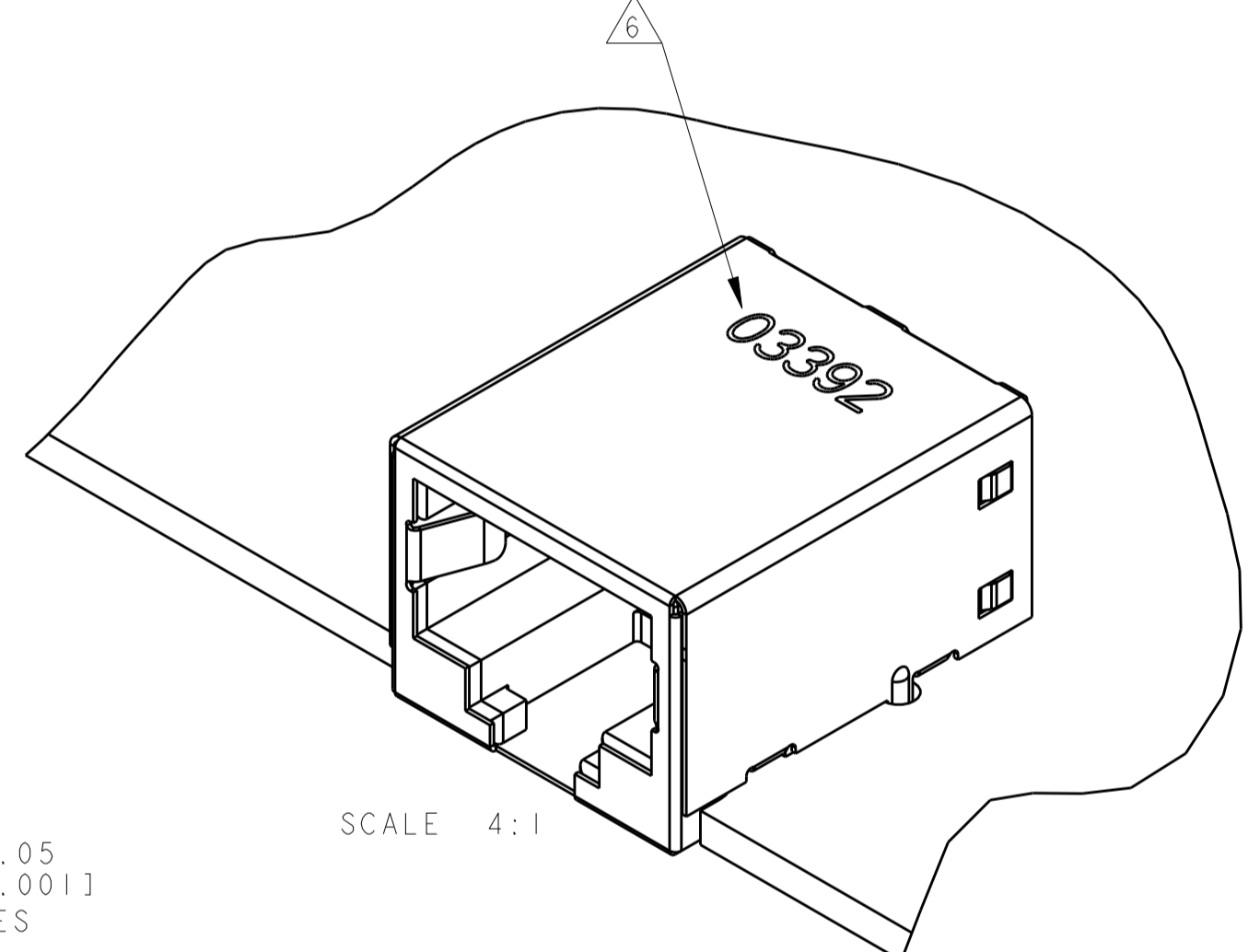
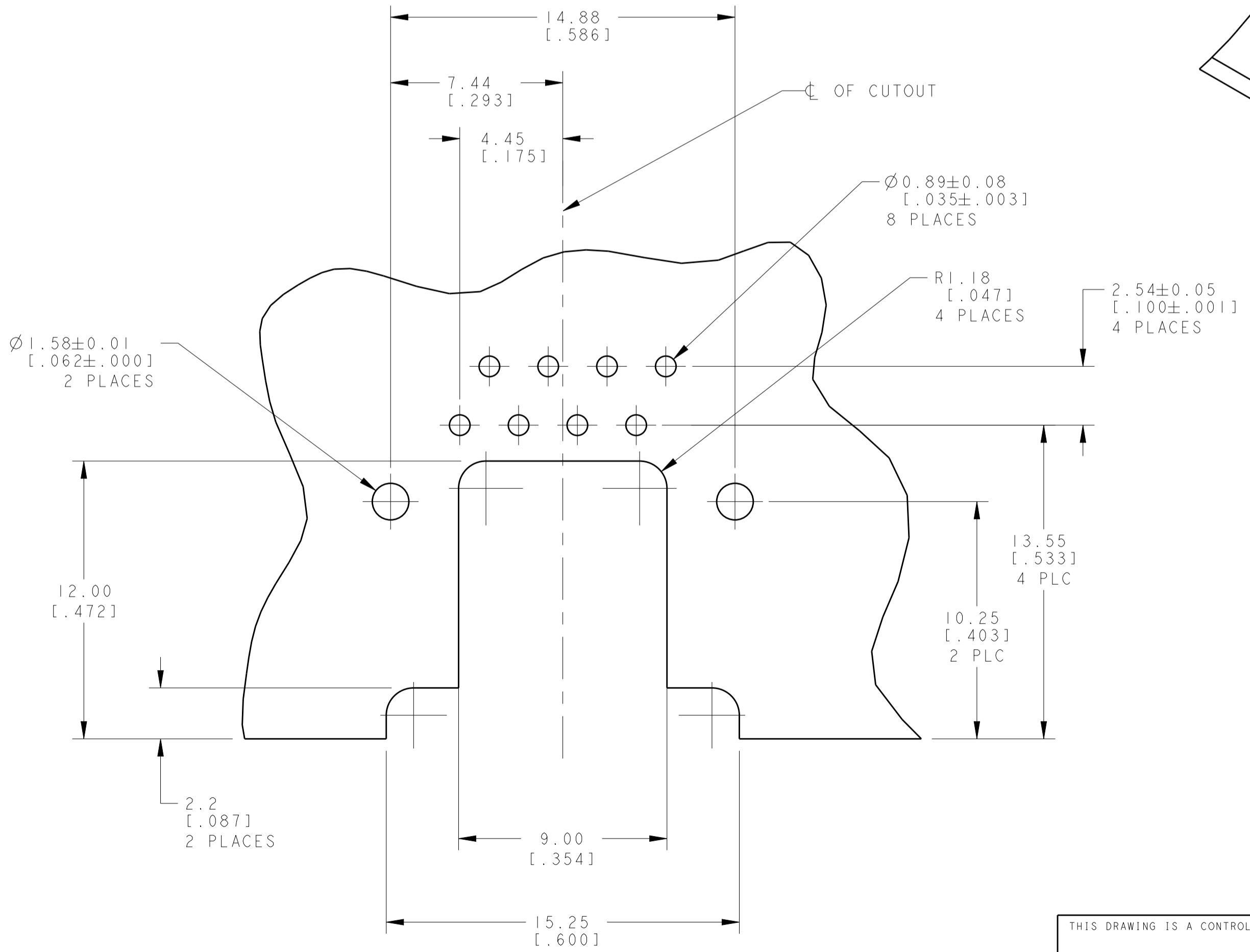
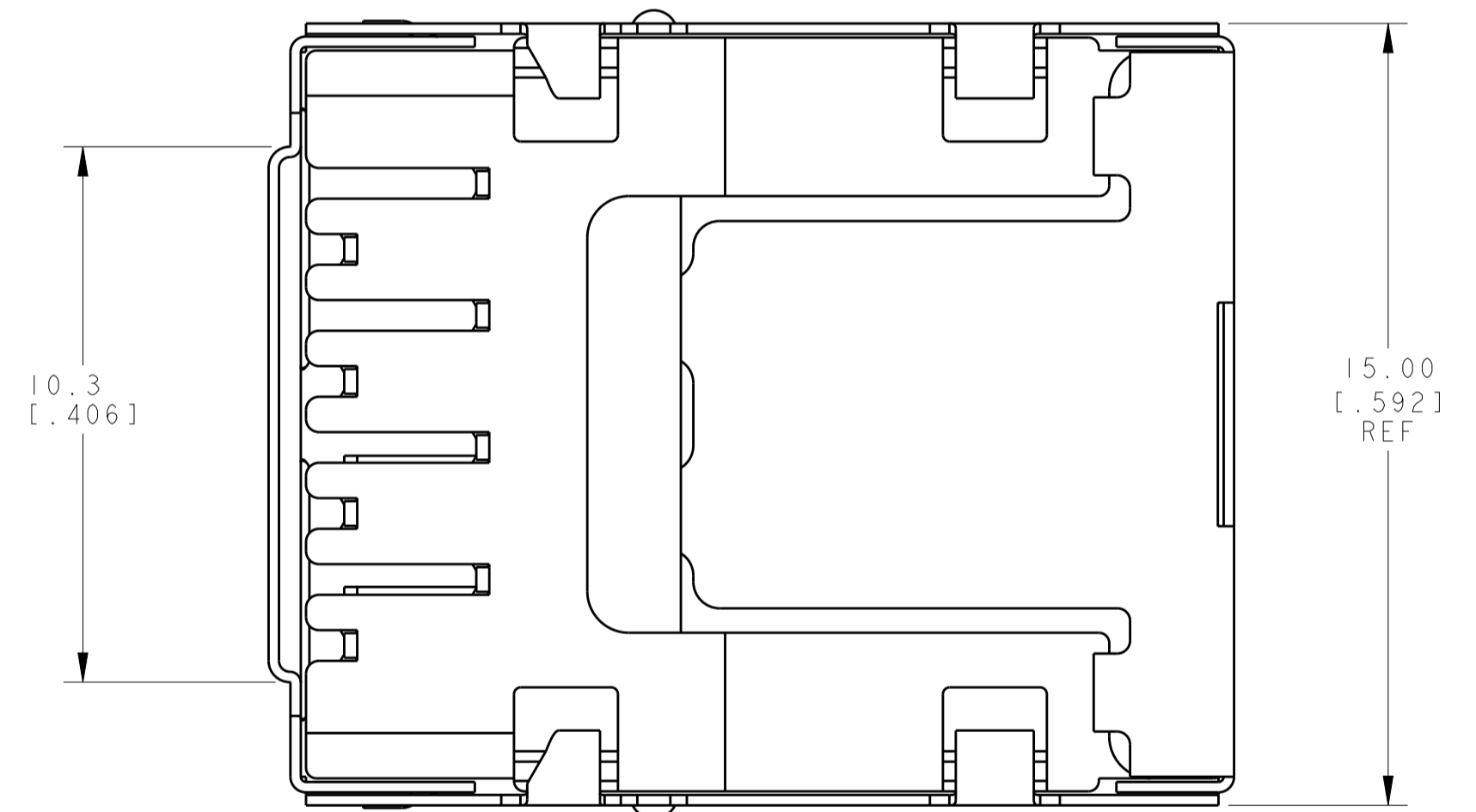


REVISIONS				
P	LTN	DESCRIPTION	DATE	OWN APVD
J	ECO-14-015233		27APR2015	LL SH



- 1 MATERIAL: HOUSING - HIGH TEMPERATURE NYLON, BLACK, UL 94V-0. TERMINALS - 0.25[.010] THICK PHOSPHOR BRONZE PLATED WITH 3.81µm[.000150] MINIMUM THICK BRIGHT TIN-LEAD IN SOLDER AREA, 1.27µm[.000050] MINIMUM GOLD IN LOCALIZED PLATE AREA. ENTIRE TERMINAL PLATED WITH 1.27µm[.000050] MINIMUM THICK NICKEL. SHIELD - 0.21[.0079] THICK COPPER ZINC ALLOY, PREPLATED WITH 2.03µm[.000080] MIN THICK BRIGHT TIN OVER 1.27µm [0.000080] MIN THICK NICKEL
- 2 JACK CAVITY CONFORMS TO FCC RULES AND REGULATIONS PART 68, SUBPART F.
- 3 THIS DIMENSION REPRESENTS THE TOTAL HEIGHT OF THE CONNECTOR FROM THE TOP OF THE PC BOARD.
- 4 PACKAGED 66 ASSEMBLIES PER PVC TRAY, 396 PER BOX.
- 5 DIELECTRIC WITHSTANDING VOLTAGE BETWEEN SHIELD AND TERMINAL IS 1500 VAC
- 6 MANUFACTURING DATE CODE: ORIENTED AND LOCATED APPROXIMATELY AS SHOWN. LASER PRINTING. TEXT HEIGHT APPROXIMATELY 2MM. FIRST 2 DIGITS = LAST 2 DIGITS OF YEAR. NEXT 2 DIGITS = MANUFACTURING WORK WEEK. LAST DIGIT = DAY OF WEEK WITH SUNDAY = 1
- 7 MATERIAL: HOUSING - HIGH TEMPERATURE NYLON, BLACK, UL 94V-0. TERMINALS - 0.25[.010] THICK PHOSPHOR BRONZE PLATED WITH 3.81µm[.000150] MINIMUM THICK MATTE TIN IN SOLDER AREA, 1.27µm[.000050] MINIMUM GOLD IN LOCALIZED PLATE AREA. ENTIRE TERMINAL PLATED WITH 1.27µm[.000050] MINIMUM THICK NICKEL. SHIELD - 0.21[.0079] THICK COPPER ZINC ALLOY, PREPLATED WITH 2.03µm[.000080] MIN THICK BRIGHT TIN OVER 1.27µm [0.000050] MINIMUM THICK NICKEL



406732-2
406732-1
MATERIAL/FINISH
PART NUMBER

THIS DRAWING IS A CONTROLLED DOCUMENT.		OWN: L. VARSIK 14FEB01	406732-2
DIMENSIONS: mm [INCHES]		CHK: L. VARSIK 14FEB01	406732-1
TOLERANCES UNLESS OTHERWISE SPECIFIED:		APVD: L. VARSIK 14FEB01	MATERIAL/FINISH
0 PLC	±	NAME	TE Connectivity
1 PLC	±	PRODUCT SPEC	MODULAR JACK ASSEMBLY,
2 PLC	±	108-1163	8 POSITION, SHIELDED, 10mm, WITHOUT
3 PLC	±	APPLICATION SPEC	PANEL TABS, WITHOUT POSTS
4 PLC	±	114-2048	SIZE
ANGLES	±	WEIGHT	RESTRICTED TO
MATERIAL	SEE NOTE 1	3.4 grams	A100779C=406732
FINISH	SEE NOTE 1	CUSTOMER DRAWING	SCALE 8:1 SHEET 1 OF 1 REV J